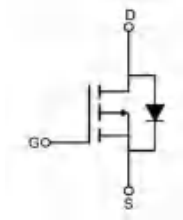


AP40P04G

P-Channel Enhancement Mosfet

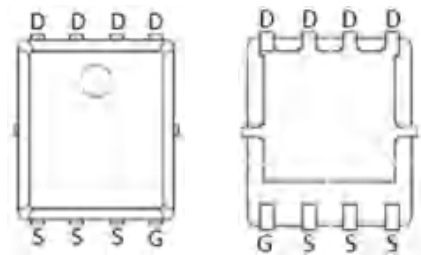
Feature

- -40V,-40A
 $R_{DS(on)} < 13m\Omega @ V_{GS} = -10V$
 $R_{DS(on)} < 22m\Omega @ V_{GS} = -4.5V$
- Advanced Trench Technology
- Lead free product is acquired
- Excellent $R_{DS(on)}$ and Low Gate Charge



Application

- PWM applications
- Load Switch
- Power management



PDFN5X6

Package Marking and Ordering Information

Device Marking	Device	Device Package	Reel Size	Tape width	Quantity (PCS)
40P04G	AP40P04G	PDFN5X6	13 inch	-	5000

ABSOLUTE MAXIMUM RATINGS ($T_a = 25^\circ C$ unless otherwise noted)

Parameter	Symbol	Value	Unit
Drain-Source Voltage	V_{DS}	-40	V
Gate-Source Voltage	V_{GS}	± 20	V
Continuous Drain Current ($T_a = 25^\circ C$)	I_D	-40	A
Continuous Drain Current ($T_a = 100^\circ C$)	I_D	-26	A
Pulsed Drain Current ⁽¹⁾	I_{DM}	-160	A
Singel Pulsed Avalanche Energy ⁽²⁾	E_{AS}	144	mJ
Power Dissipation	P_D	41.6	W
Thermal Resistance from Junction to Case	$R_{\theta JC}$	3.6	$^\circ C/W$
Junction Temperature	T_J	150	$^\circ C$
Storage Temperature	T_{STG}	-55~ +150	$^\circ C$

MOSFET ELECTRICAL CHARACTERISTICS($T_a=25^{\circ}\text{C}$ unless otherwise noted)

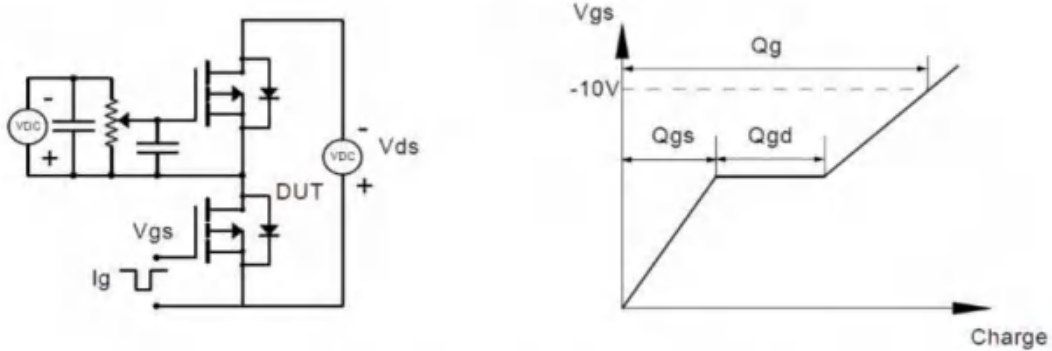
Parameter	Symbol	Test Condition	Min	Type	Max	Unit
Static Characteristics						
Drain-source breakdown voltage	$V_{(BR)DSS}$	$V_{GS} = 0V, I_D = -250\mu A$	-40	-	-	V
Zero gate voltage drain current	I_{DSS}	$V_{DS} = -40V, V_{GS} = 0V$	-	-	1	μA
Gate-body leakage current	I_{GSS}	$V_{GS} = \pm 20V, V_{DS} = 0V$	-	-	± 100	nA
Gate threshold voltage ⁽³⁾	$V_{GS(th)}$	$V_{DS} = V_{GS}, I_D = -250\mu A$	-1	-1.6	-2.5	V
Drain-source on-resistance ⁽³⁾	$R_{DS(on)}$	$V_{GS} = -10V, I_D = -20A$	-	10	13	m Ω
		$V_{GS} = -4.5V, I_D = -10A$	-	15	22	
Dynamic characteristics						
Input Capacitance	C_{iss}	$V_{DS} = -20V, V_{GS} = 0V, f = 1MHz$	-	2700	-	pF
Output Capacitance	C_{oss}		-	350	-	
Reverse Transfer Capacitance	C_{rss}		-	265	-	
Switching characteristics						
Turn-on delay time	$t_{d(on)}$	$V_{DD} = -20V, I_D = -20A, R_L = 1\Omega$ $V_{GS} = -10V, R_G = 3\Omega$	-	10	-	ns
Turn-on rise time	t_r		-	21	-	
Turn-off delay time	$t_{d(off)}$		-	53	-	
Turn-off fall time	t_f		-	29	-	
Total Gate Charge	Q_g	$V_{DS} = -20V, I_D = -20A,$ $V_{GS} = -10V$	-	42	-	nC
Gate-Source Charge	Q_{gs}		-	7.3	-	
Gate-Drain Charge	Q_{gd}		-	8.5	-	
Source-Drain Diode characteristics						
Diode Forward voltage ⁽³⁾	V_{DS}	$V_{GS} = 0V, I_S = -20A$	-	-	-1.2	V
Diode Forward current ⁽⁴⁾	I_S		-	-	-40	A

Notes:

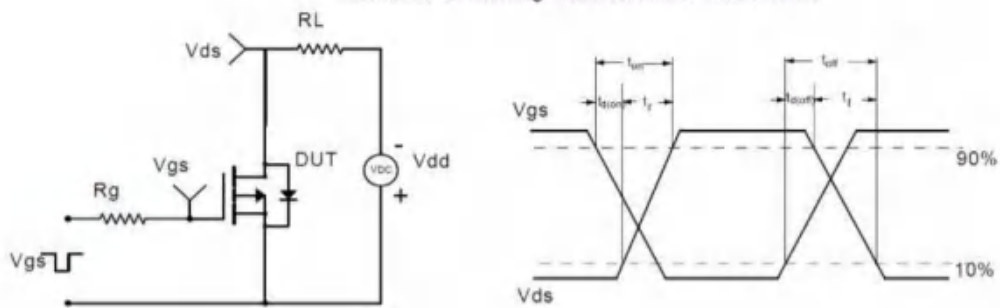
1. Repetitive Rating: pulse width limited by maximum junction temperature
2. EAS Condition: $T_J = 25^{\circ}\text{C}, V_{DD} = -20V, R_G = 25\Omega, L = 0.5\text{mH}, I_{AS} = -24A$
3. Pulse Test: pulse width $\leq 300\mu\text{s}$, duty cycle $\leq 2\%$
4. Surface Mounted on FR4 Board, $t \leq 10\text{ sec}$

Test Circuit

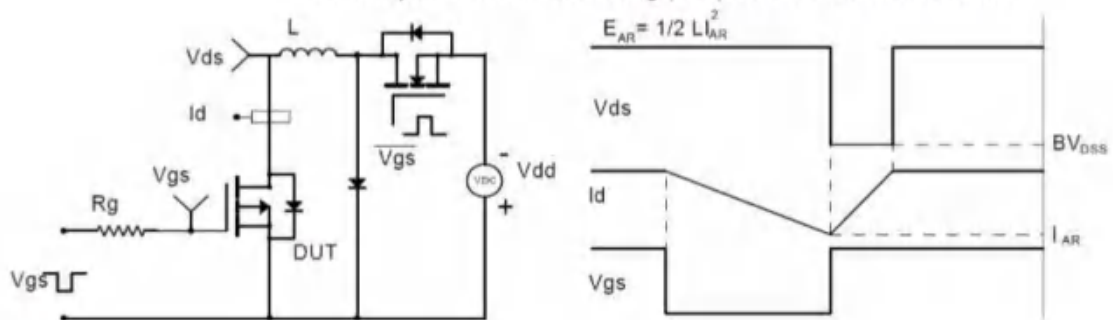
Gate Charge Test Circuit & Waveform



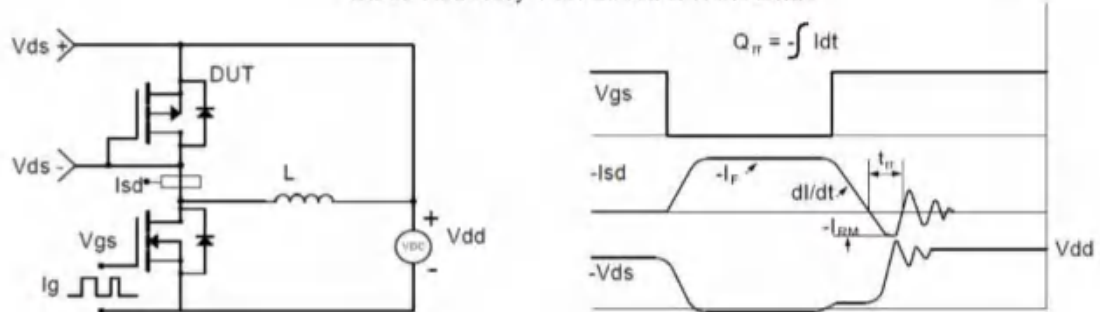
Resistive Switching Test Circuit & Waveforms



Unclamped Inductive Switching (UIS) Test Circuit & Waveforms



Diode Recovery Test Circuit & Waveforms



Typical Performance Characteristics

Figure 1: Output Characteristics

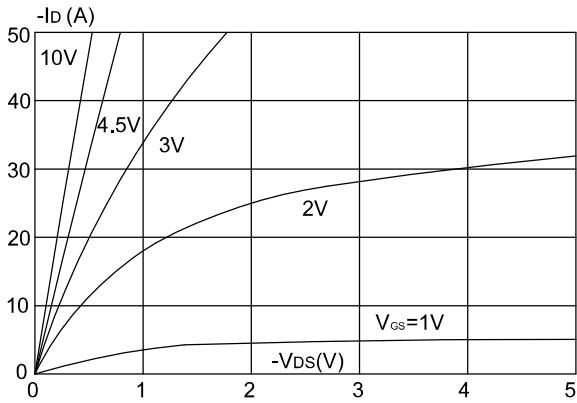


Figure 2: Typical Transfer Characteristics

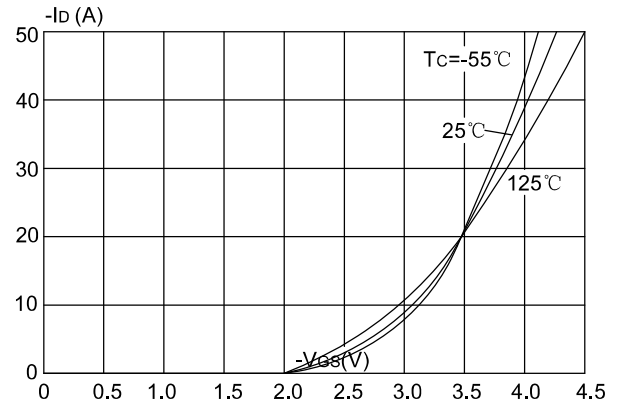


Figure 3: On-resistance vs. Drain Current

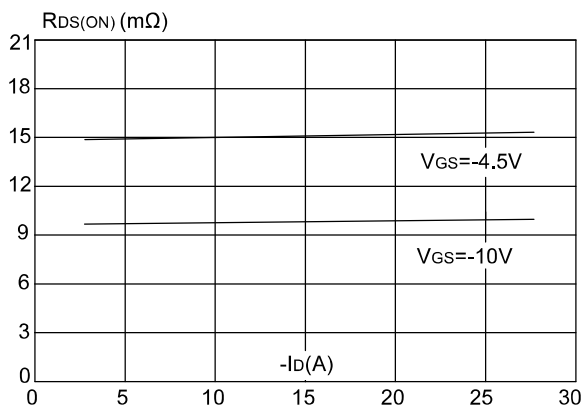


Figure 4: Body Diode Characteristics

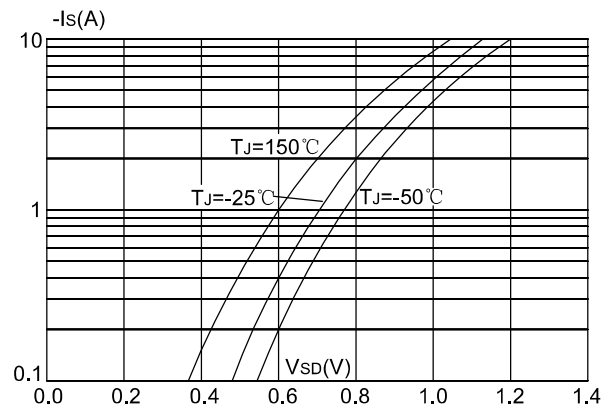


Figure 5: Gate Charge Characteristics

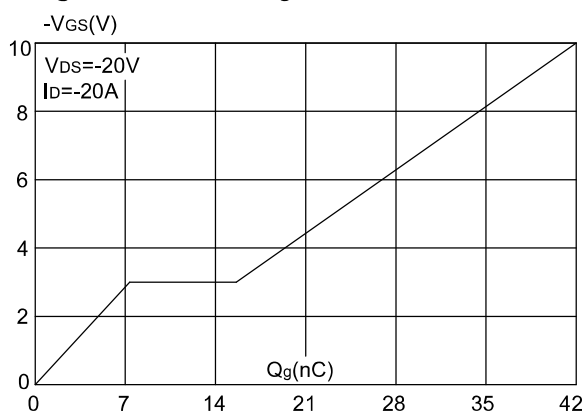


Figure 6: Capacitance Characteristics

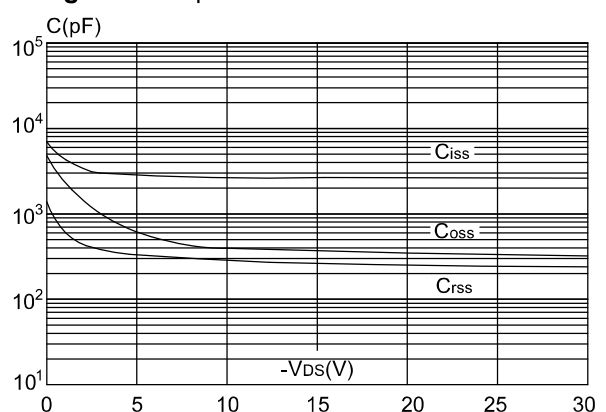


Figure 7: Normalized Breakdown Voltage vs. Junction Temperature

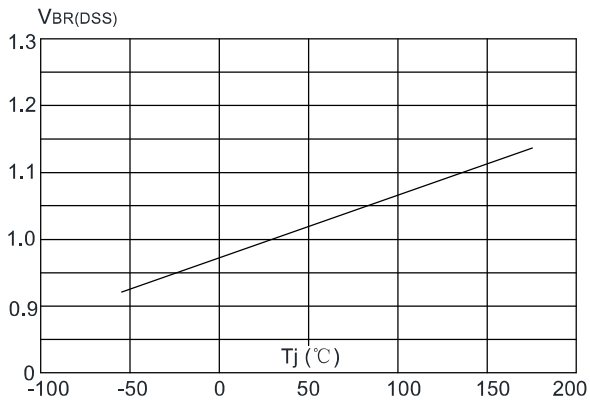


Figure 8: Normalized on Resistance vs. Junction Temperature

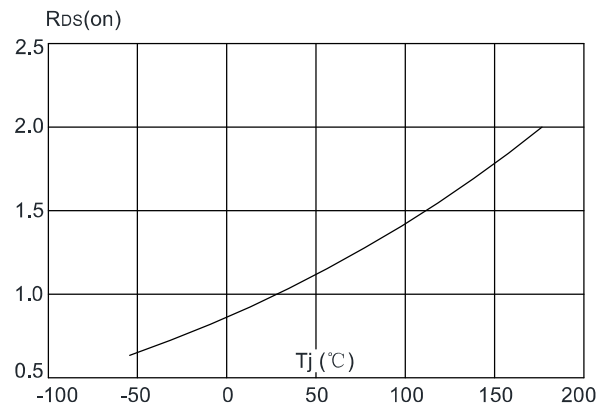


Figure 9: Maximum Safe Operating Area

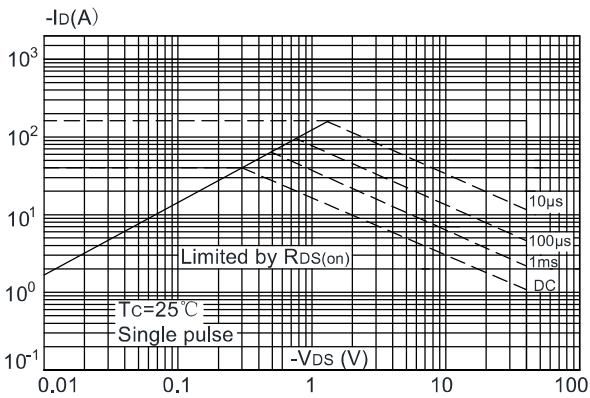


Figure 10: Maximum Continuous Drain Current vs. Case Temperature

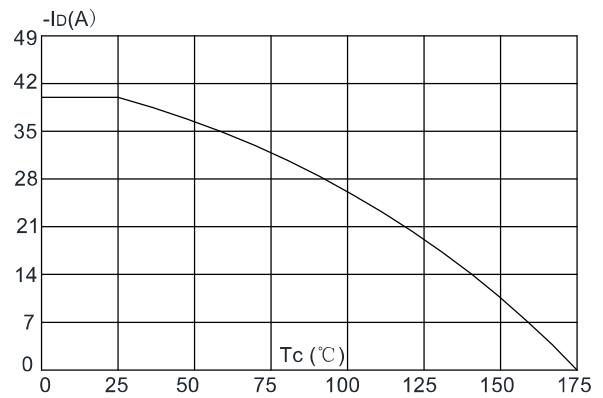
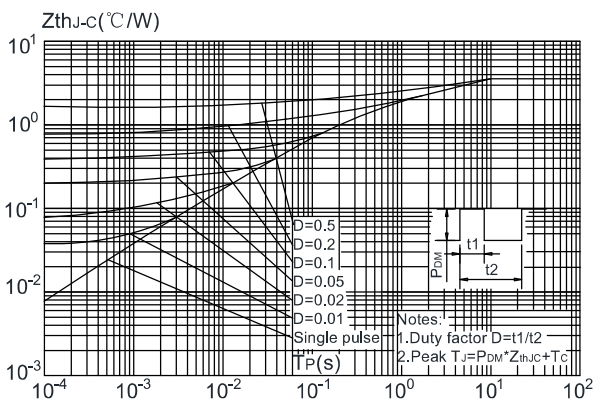


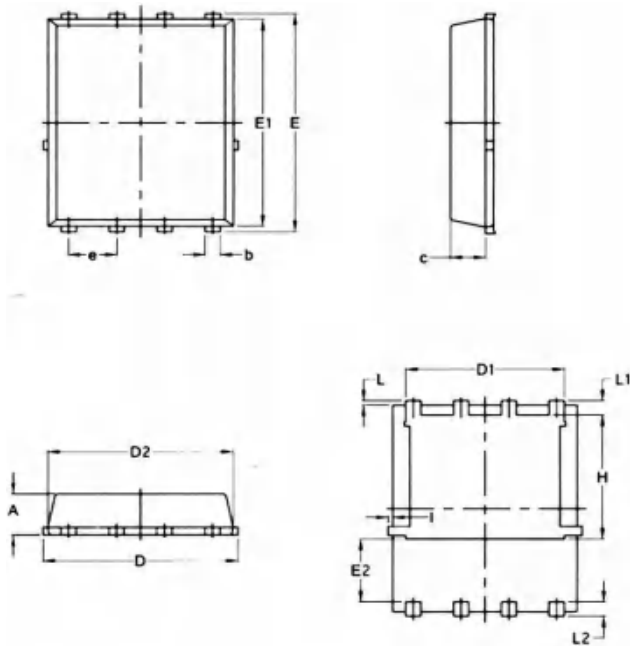
Figure.11: Maximum Effective Transient Thermal Impedance, Junction-to-Case



AP40P04G

P-Channel Enhancement Mosfet

PDFN5X6 Package Information



PDFN5X6

SYMBOL	COMMON			
	MM		INCH	
	MIN.	MAX.	MIN.	MAX.
A	1.03	1.17	0.0406	0.0461
b	0.34	0.48	0.0134	0.0189
c	0.824	0.970	0.0324	0.0382
D	4.80	5.40	0.1890	0.2126
D1	4.11	4.31	0.1618	0.1697
D2	4.80	5.00	0.1890	0.1969
E	5.95	6.15	0.2343	0.2421
E1	5.65	5.85	0.2224	0.2303
E2	1.60	—	0.0630	—
e	1.27 BSC		0.05 BSC	
L	0.05	0.25	0.0020	0.0098
L1	0.38	0.50	0.0150	0.0197
L2	0.38	0.50	0.0150	0.0197
H	3.30	3.50	0.1299	0.1378
I	—	0.18	—	0.0070